

Supreme Pro MIL CC headset, Single Com, Nexus connector

[Technical Data sheet]



Headband version



Neckband version

Key features

- Single Com headset, for connection to one communication radio
- Slim cup design
- Available both as a foldable headband version and a neckband version
- Easy to use push buttons operates the electronic functions
- Level Dependent function that allow you to hear ambient sound like warning signals, moving vehicles and important information and still be protected from hazardous noise
- Available with green or black cups
- Very natural sound reproduction through the speakers inside the cups
- Amplification of low sounds
- Sound reproduced through the level dependent function is limited to a maximum of 82 dB
- Automatic switch-off after 4 hours if no button is activated saves battery life
- Low battery warning when approximately 40 hours is left of the battery life
- Noise cancelling boom microphone

Special features

- Water proof level dependent microphones. The product is immersed in 1.0 meter (3 feet) of salt water for 30 minutes without losing level dependent performance.
- A shield box over critical components adds extra RFI protection (class 1)
- Two speakers in each cup:
 - ⇒ one speaker is directly connected to the radio communication and operates even if the unit is turned off or runs out of battery
 - ⇒ the other speaker reproduce the sound coming from the level dependent function

Materials

Headband: ABS and spring steel
Neckband: Fabric and spring steel

Headband padding: Leather
Cups: ABS

Inserts: Polyether foam
Sealing cushion: PVC / PU foam

Technical information

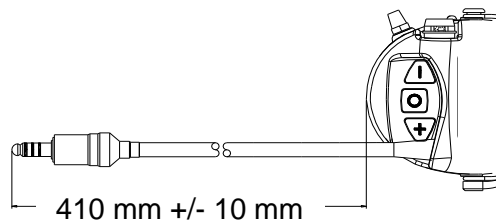
Batteries:	2 x 1.5 V AAA/LR03, estimated operating time is around 600 hours
Level Dependent microphone frequency response:	100 Hz – 10 KHz
Loudspeakers / loudspeaker response:	4 x 32 Ohm / 20 Hz – 20 KHz
Operating conditions:	- 20°C - + 50°C
Max audio signal allowed from the connected radio to not exceed 82 dB(A) through the speakers:	242 mVrms
Weight headband version:	394 gram, excluding batteries
Weight neckband version:	346 gram, excluding batteries

Supreme Pro MIL CC headset, Single Com, Nexus connector

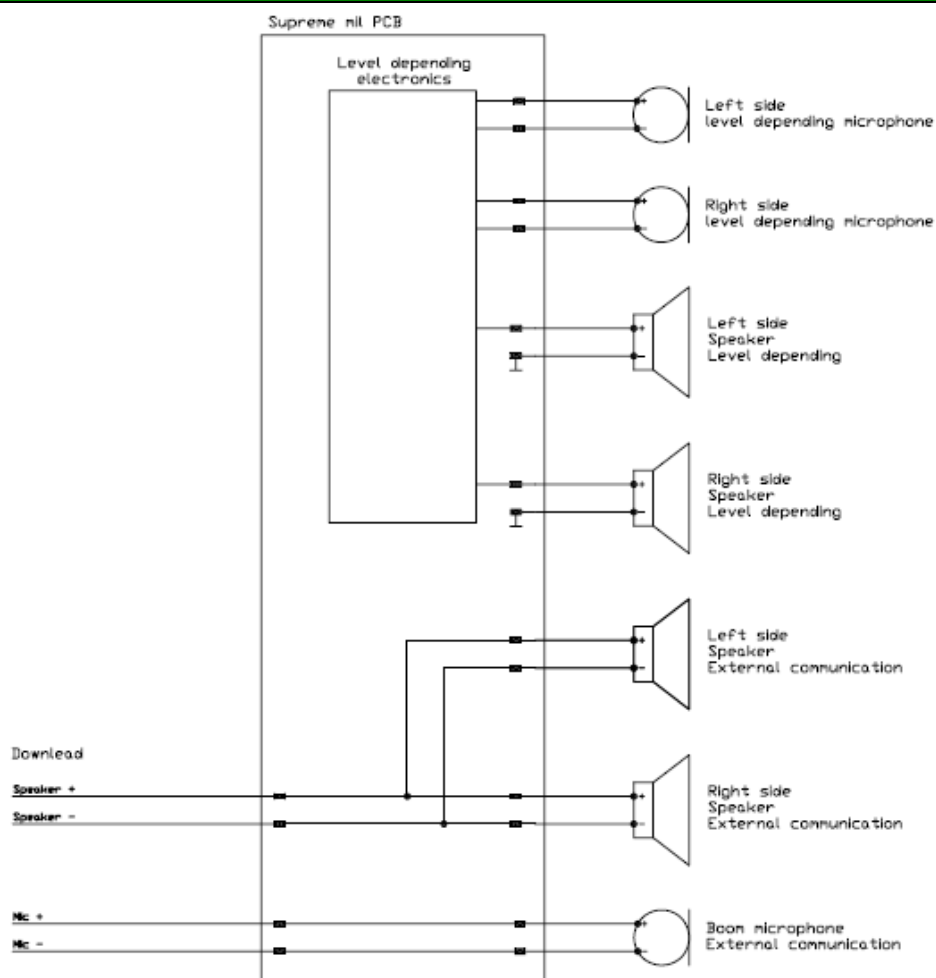
[Technical Data sheet]

Down lead

- Heavy duty down lead (410 mm long) with a splash proof Nexus TP120 connector
- Each wire is shielded individually

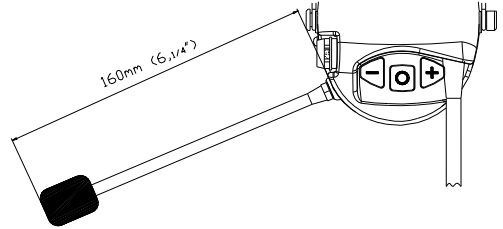


Wiring diagram

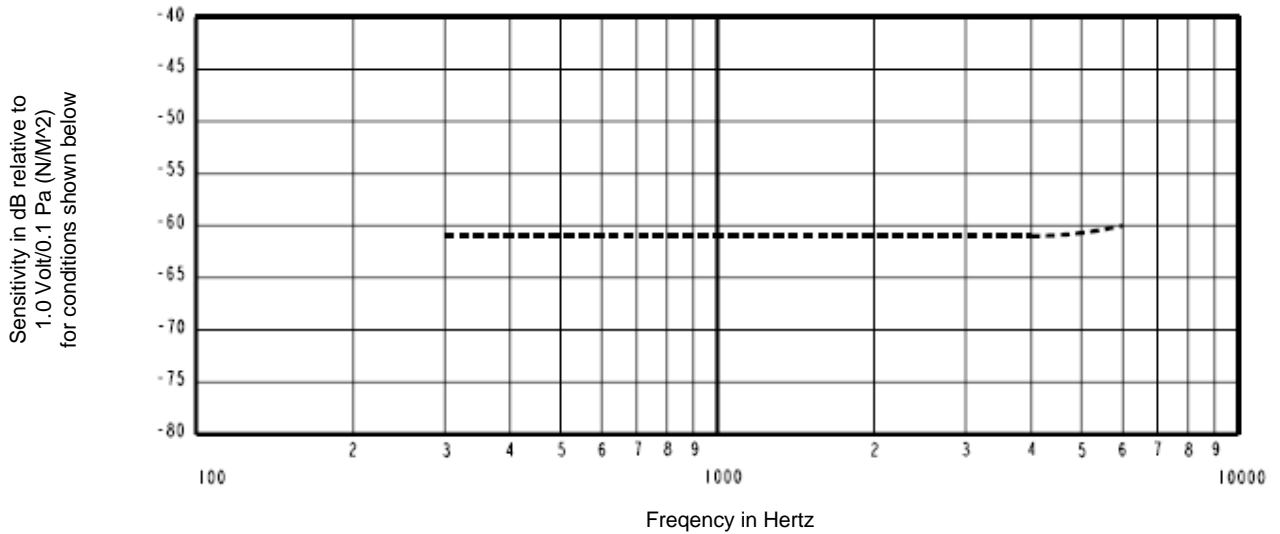


Boom microphone

- Electret microphone with flexible boom arm (160 mm long)
- Robust microphone designed for tough environments
- Excellent noise cancelling function



Characteristics:



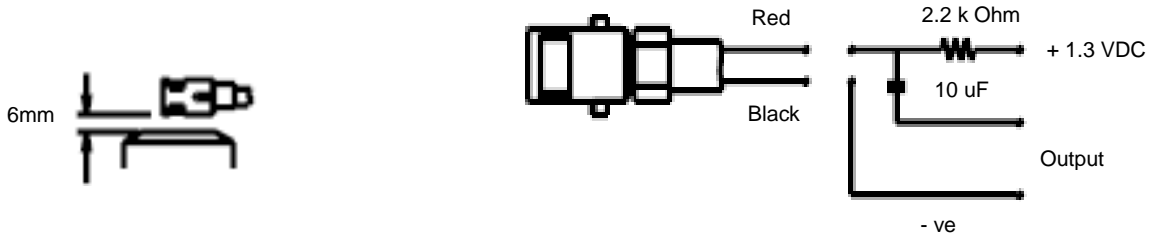
Notes:

1. Microphone to be functional with 10 VDC supply.
2. Sensitivity values indicated on this specification are valid at 50% humidity.
3. Sensitivity:

Frequency (Hz)	Min	Nom	Max
300	-65.0	-61.0	-57.0
1000	-64.0	-61.0	-58.0
4000	-65.0	-61.0	-57.0

4. Test conditions:

Head of boom exposed to 94 dB SPL swept sound field at 6 mm from voice aperture.
 Artificial voice: B & K 4227 mouth simulator.



Lead identification & test circuit

Hygiene kit



Hygiene Kit:

Consists of 1 pair of sealing cushions and 1 pair of attenuation foam inserts

Supreme Pro MIL CC headset, Single Com, Nexus connector

[Technical Data sheet]



ANSI approvals

Tested to ANSI S3.19-1974 by Michael & Associates, Inc., USA.

ATTENUATION DATA

Headband version (test report Q2217A)

Frequency Hz	125	250	500	1000	2000	31500	4000	6300	8000
Mean attenuation (dB)	15.6	17.4	26.7	28.3	30.3	34.3	39.1	40.4	42.0
Stand. Deviation (dB)	2.9	1.8	3.7	2.9	3.1	3.6	3.6	3.1	4.4

NNR = 21 dB

Neckband version (test report Q2218A)

Frequency Hz	125	250	500	1000	2000	31500	4000	6300	8000
Mean attenuation (dB)	16.6	17.5	25.7	28.6	30.8	34.8	36.8	40.5	41.1
Stand. Deviation (dB)	2.7	2.1	3.8	3.3	4.0	3.3	4.1	3.3	4.6

NNR = 20 dB

Ordering information

Product number	Version	Cup colour	Cushion	Boom mic assembly
SOR75332	Headband	Black	Foam	Left cup
SOR75332-06	Headband	Green	Foam	Left cup
SOR76332	Neckband	Black	Foam	Left cup
SOR76332-06	Neckband	Green	Foam	Left cup
Hygiene kit:				
SOR60089	Hygiene kit foam – 1 pair of foam cushions and 1 pair of inserts			