

Sordin PTT Dual Com Water Proof (75909)



- Simple dual com PTT box to be used with two communication radios or mobile phones.
- Rugged design suitable for outdoor use in harsh weather conditions. The PTT has full function after being submerged in water (1m 30min).
- Black body with a large, easy to locate PTT buttons.
- Rotatable belt clip for attaching the PTT box to a belt or other fastening systems such as MOLLE (Modular Lightweight Load-carrying Equipment). The belt clip is removable by loosening 4 screws.
- For use with Sordin communication headsets with male 6-pole connector Sordin standard and compatible with various two-way radios.
- Button profile and tactile feedback suitable for gloved hands.
- Switch guard protects PTT button from unintentionally pressing the PTT button.

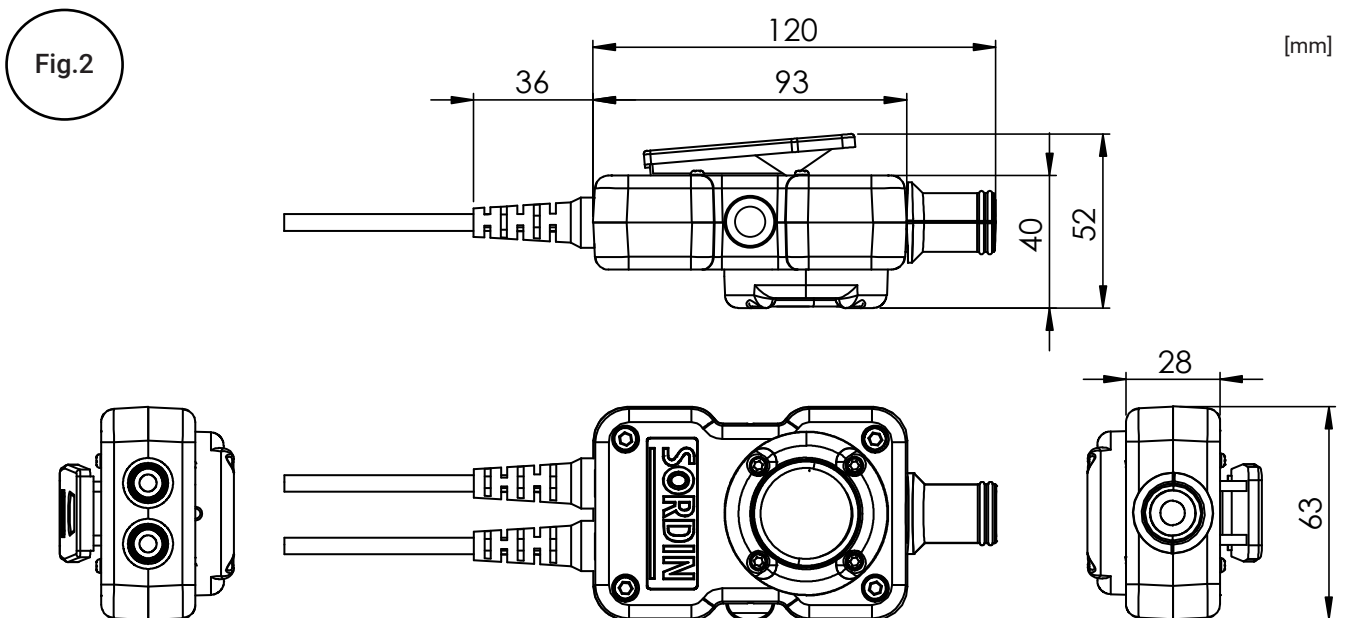
Technical information

Connector to headset	Female 6-pole connector Sordin standard (see Fig.1)
Radio cable	Coiled, Ø4 mm, L 600 mm to 1200 mm
Radio interface	See the radio list
Water resistance	Water proof for outdoor use in harsh weather conditions. The PTT has full function after being submerged in water (1m 30min).
Weight	300 g (approx) - varies between different radio interfaces
Dimensions	120 x 63 x 52 mm (see detailed information in Fig.2)
Colour	Black
Operating temperature	-20°C to +50°C, < 85% RH
Storage temperature	-20°C to +50°C, < 85% RH
Approvals	Fulfills RoHS directive 2011/65/EU
Applications	Professional, Tactical

Sordin standard wiring configuration



General measurement of the PTT box



Available Communication Radio Interfaces

Sordin supports most radio models in the market. For the latest update, go to our website (see below).

Note! Dual PTTs are always custom made by Sordin and lack a product number. Contact us for information.

Product numbers

Product number	Description
75909-XXX-S	Sordin PTT Dual Com Water Proof

We support most radio models in the market. Check if your radio model(s) is currently supported by Sordin by using our connector configurator.



www.sordin.com/select-ptt

If your radio is not listed, contact us for a custom order.

Sordin may require that a PTT is tested and confirmed by the customer before order confirmation.

Spare parts

Product number	Description
SW044	Belt Clip
JD007	Cover Panel Jack