

Sordin PTT Dual Com Splash Proof (75907)



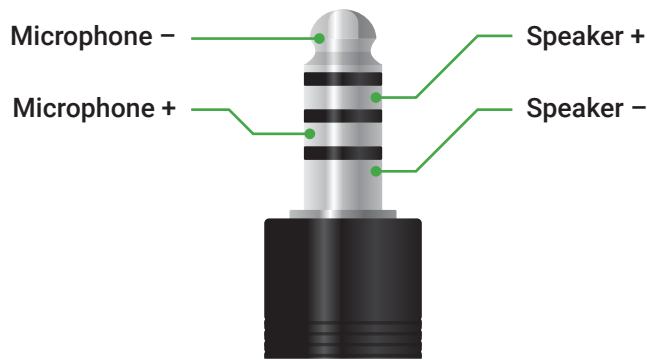
- Simple dual com PTT box to be used with two communication radios or mobile phones.
- Rugged design suitable for outdoor use in harsh weather conditions.
- Black body with a large, easy to locate PTT button.
- Rotatable belt clip for attaching the PTT box to a belt or other fastening systems such as MOLLE (Modular Lightweight Load-carrying Equipment). The belt clip is removable by loosening 4 screws.
- For use with Sordin communication headsets with male 4-pole Ø7.2 mm connector (type TP-120) and compatible with various two-way radios.
- Can be used together with other headset brands with male 4-pole Ø7.2 mm connector (type TP-120) and correct wiring (requires testing and verification).
- Button profile and tactile feedback suitable for gloved hands.
- Switch guard protects PTT button from unintentionally pressing the PTT button.

Technical information

| | |
|--|--|
| Connector to headset | Female 4-pole Ø7.2 mm connector (type TJ-102) |
| Pin configuration for the connector to headset | Sordin wiring (US NATO) (see Fig.1) |
| Radio cable | Coiled, Ø4 mm, L 600 mm to 1200 mm |
| Radio interface | See the radio list |
| Water resistance | Splash proof for outdoor use in harsh weather conditions |
| Weight | 250 g (approx) - varies between different radio interfaces |
| Dimensions | 120 x 63 x 52 mm (see detailed information in Fig.2) |
| Colour | Black |
| Operating temperature | -20°C to +50°C, < 85% RH |
| Storage temperature | -20°C to +50°C, < 85% RH |
| Approvals | Fulfills RoHS directive 2011/65/EU |
| Applications | Professional, Tactical |

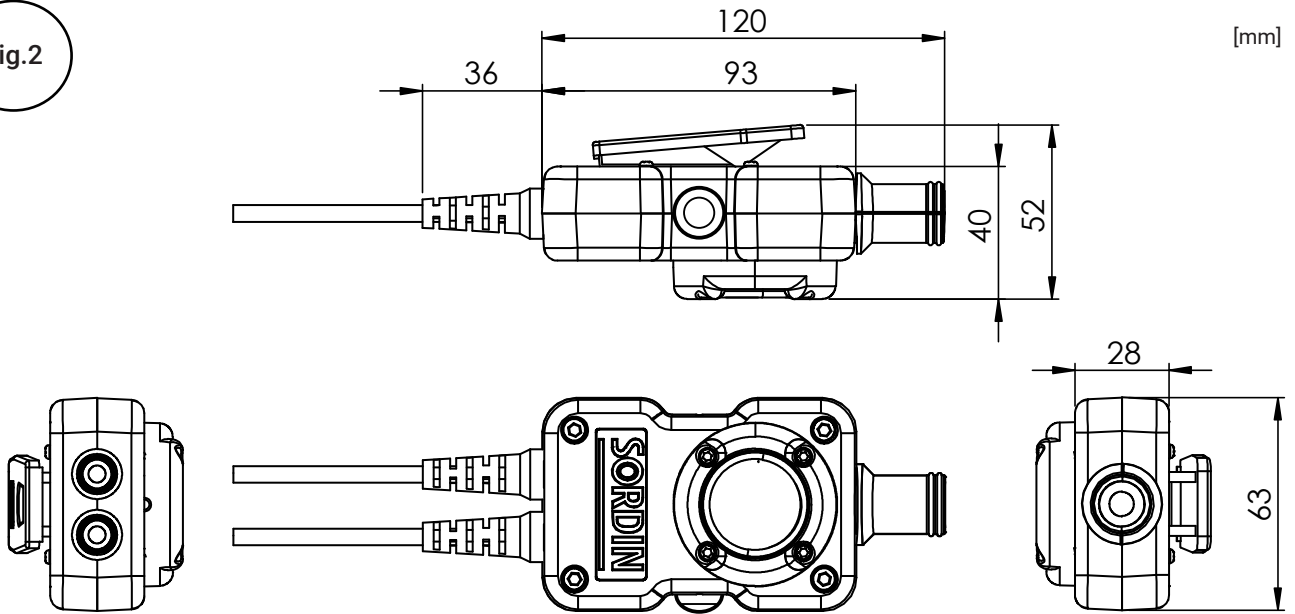
Sordin standard wiring configuration (US NATO)

Fig.1



General measurement of the PTT box

Fig.2



Available Communication Radio Interfaces

Sordin supports most radio models in the market. For the latest update, go to our website (see below).

Note! Dual PTTs are always custom made by Sordin and lack a product number. Contact us for information.

Product numbers

| Product number | Description |
|----------------|----------------------------------|
| 75907-XXX-S | Sordin PTT Dual Com Splash Proof |

We support most radio models in the market. Check if your radio model(s) is currently supported by Sordin by using our connector configurator.



www.sordin.com/select-ptt

*If your radio is not listed, contact us for a custom order.
Sordin may require that a PTT is tested and confirmed by the customer before order confirmation.*

Spare parts

| Product number | Description |
|----------------|------------------|
| SW044 | Belt Clip |
| JD007 | Cover Panel Jack |