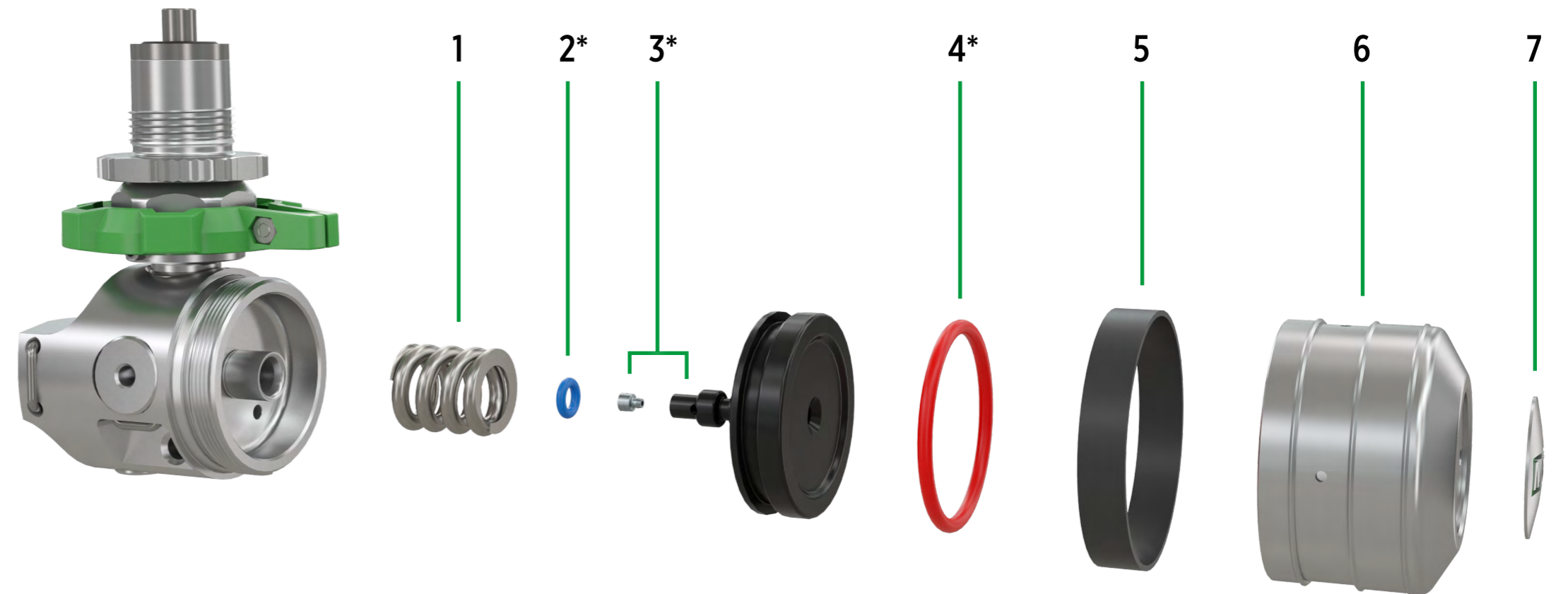


## PISTON AND CAP

Description	Part No.	Unit
<b>1 Pressure Spring</b>	<b>10199380</b>	5 pcs.
<b>* Piston Assembly:</b>	<b>10199421</b>	1 pc.
2 Lower Piston O-Ring	<i>included in 10199421</i>	1 pc.
3 Piston Seal	<i>included in 10199421</i>	1 pc.
4 Upper Piston O-Ring	<i>included in 10199421</i>	1 pc.
<b>5 Cap Seal Ring</b>	<b>10189030-SP</b>	10 pcs.
<b>6 Housing Cap, Torque 10 Nm +/- 0.5 Nm</b>	<b>10186897-SP</b>	5 pcs.
Torque Nut for Disassembly of Housing Cap	10200040	1 pc.
<b>7 Seal (MSA Logo)</b>	<b>10070156</b>	10 pcs.



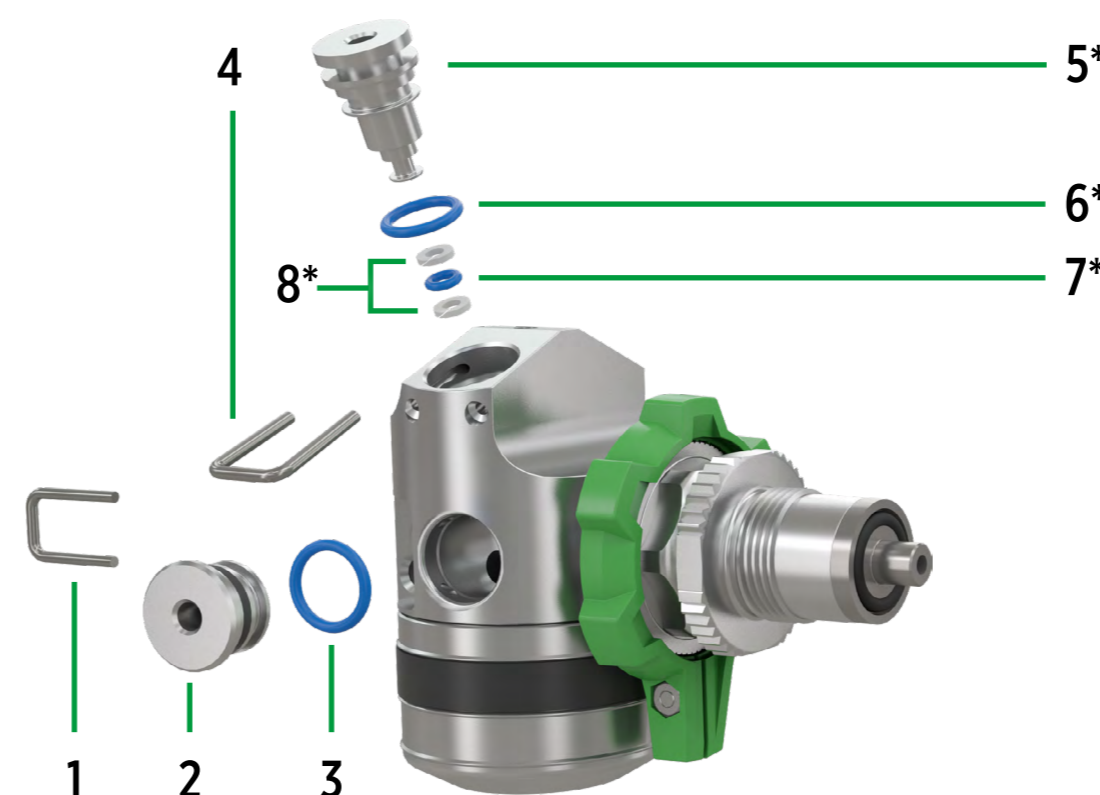
## SAFETY VALVE

Description	Part No.	Unit
<b>* Safety Valve PR18 Assembly:</b>	<b>10198978</b>	1 pc.
1 Sealing Ring	<i>included in 10198978</i>	1 pc.
2 Piston	<i>included in 10198978</i>	1 pc.
3 Spring	<i>included in 10198978</i>	1 pc.
4 Cap, Torque 2.5 Nm ± 0.5 Nm	<i>included in 10198978</i>	1 pc.



## PORT PLUGS

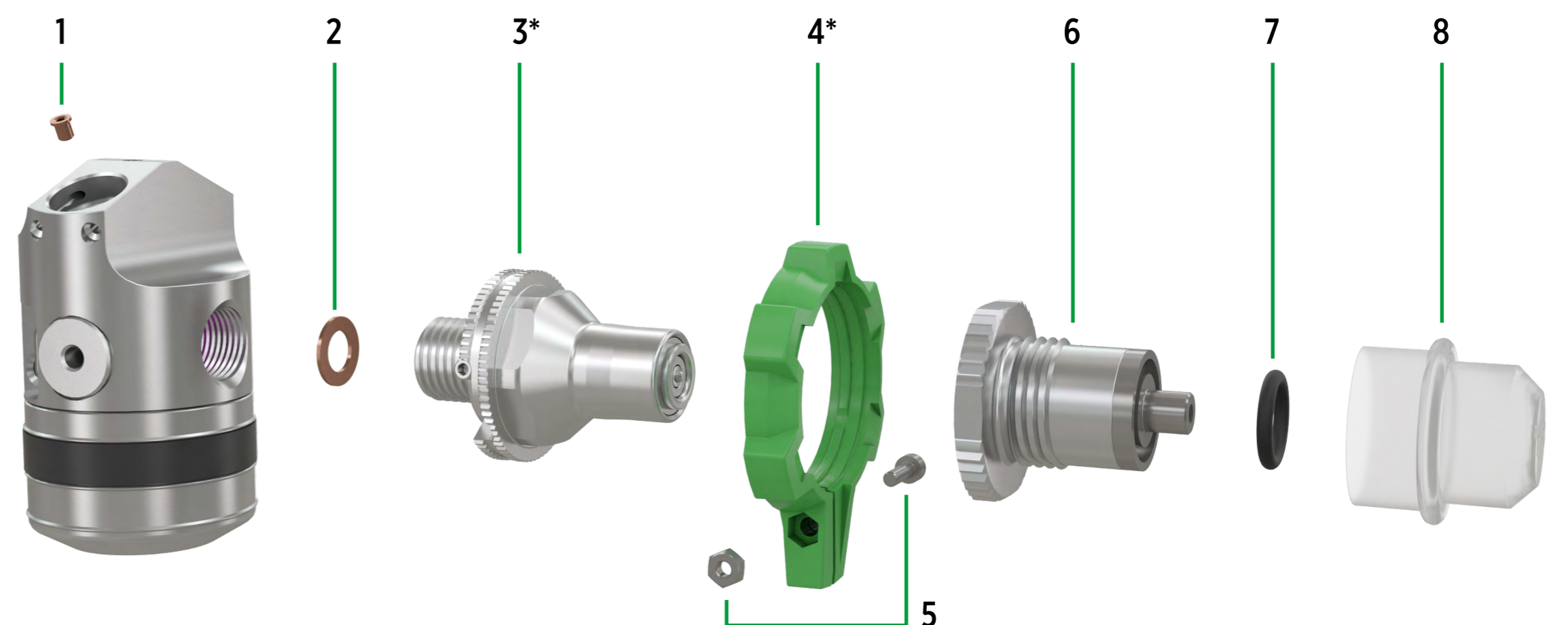
Description	Part No.	Unit
<b>1 U-Clip for MP Port</b>	<b>10096120</b>	5 pcs.
<b>2 Plug for MP Port with Sealing</b>	<b>10199002</b>	5 pcs.
<b>3 O-Ring, 10.82 x 1.78</b>	<b>10188467-SP</b>	10 pcs.
<b>4 U-Clip for SL Port</b>	<b>10069350</b>	10 pcs.
<b>5 Plug for SL Port with Sealing, incl. P/N 10194382</b>	<b>10199001</b>	5 pcs.
<b>* Sealing Kit, SL Connection:</b>	<b>10194382</b>	1 kit
6 O-Ring, 9.52 x 1.78	<i>included in 10194382</i>	1 pc.
7 O-Ring, 3 x 1.5	<i>included in 10194382</i>	1 pc.
8 Back Ring, 5.80 x 3.0 x 0.5	<i>included in 10194382</i>	2 pcs.



## HIGH PRESSURE CONNECTION

Description	Part No.	Unit
<b>1 Dosing Screw for SL Port, 25 l at 200 bar</b>	<b>10053714-SP</b>	10 pcs.
<b>2 Sealing Ring, 13.5x8.2x1 CU</b>	<b>10096335</b>	10 pcs.
<b>* alphaCLICK II Coupling 300 bar Upgrade Set:</b>	<b>10191333</b>	1 pc.
3 alphaCLICK II Coupling, Torque 45Nm + 5Nm	<i>included in 10191333</i>	1 pc.
4 Indicator Ring alphaCLICK II, incl. 5x Screw and Nut M3	10191331	5 pcs.
<b>5 Screw and Nut M3 for Indicator Ring alphaCLICK II</b>	<b>10198977</b>	10 pcs.
<b>6 Cylinder Adapter alphaCLICK II</b>	<b>10191310</b>	5 pcs.
<b>7 O-Ring</b>	<b>D4080948</b>	10 pcs.
<b>9 Protective Cap</b>	<b>10088298</b>	10 pcs.

\* includes components 3 and 4



## ACCESSORIES

Description	Part No.	Unit
Plug for Cylinder Adapter 300 bar	10208789	5 pcs.
Filling Panel Set 300 bar alphaCLICK II	10191332	1 pc.
alphaCLICK II Test Gauge (up to 400 bar)	10192641	1 pc.

Subject to change without prior notice.



DOWNLOAD M1 SCBA  
INSTRUCTION MANUAL

[https://msane.ws/M1-OPM\\_EN](https://msane.ws/M1-OPM_EN)